



55" Outdoor PCAP Freestanding Multi Touch Screen Poster

# Overview

## Modifications

The screens can be upgraded in various ways including the addition of network features, a camera or more screen sizes.

## Ultra High Brightness Panel

2500cd/m<sup>2</sup> makes sure this display will always be seen whatever the weather. Over 8 times brighter than that of a standard domestic television to improve the displays image clarity.

## Dust Tight

The screen has the highest intrusion protection rating possible meaning it is virtually impossible for dust to enter the enclosure.

## Advanced Temperature Control

Designed to run 24/7 in constant use the display has an advanced temperature control system to keep it running at the optimum temperature no matter the environment.

## Easy Maintenance

The screen is designed to allow for easy and quick access using hydraulic cylinders when maintenance is required while still being secure.

## Ambient Light Sensor

The display has a light sensor that changes the screens brightness depending on the ambient light ensuring the most suitable brightness at any time.

## 10 Point PCAP Touch Technology

Using the most responsive and sensitive commercial touch technology available. Not affected by dust or debris on the screen surface.



## Toughened Glass

Extra strong glass protects the screens internal components and adds an extra layer of security against vandals.

## Sturdy Enclosure

Made from mild steel the enclosure is strong enough to protect the displays components from outside harm such as vandals.

## Anti Reflective Glass

Diffuses direct sunlight making the display easily readable in bright weather.

## Attach Devices

Run the Touch Screen from a PC or Media Player that can be placed within an internal locker.

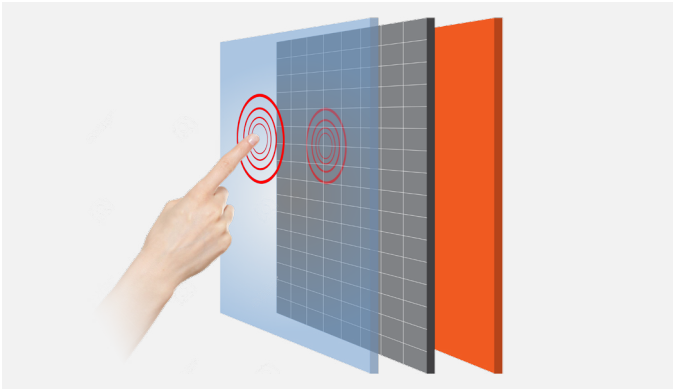
## Weather Proof

An IP65 Rating means the display is able to withstand all weather conditions; wet and dry and also features waterproof over molded AV connectors.

## Removable Base

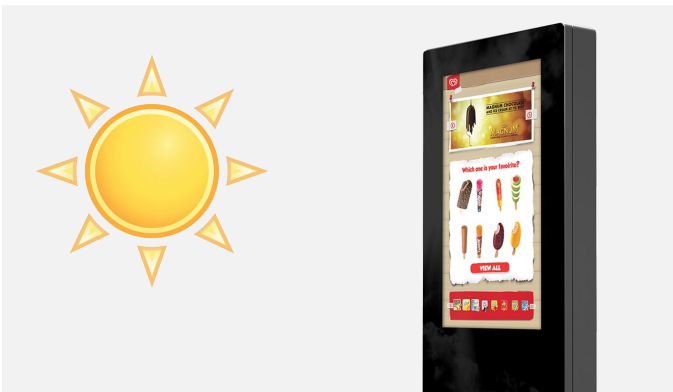
If desired the base can be removed before installation for a more streamline appearance.





## PCAP Touch

State of the art Projected Capacitive interactive technology offers the most responsive and sensitive touch experience available. Designed for commercial applications, PCAP touch technology works by fixing a sensor grid between a layer of cover glass and the LCD panel, when a finger touches the glass the grid detects the coordinates of the touch point. Unlike other touch technologies PCAP is not affected by dust or debris on the screen surface, allows for up to 10 touch points and offers superior optical quality.



## Sunlight Readable

Brightness is paramount when using outdoor screens, these displays use commercial grade Ultra High Brightness panels (2500 cd/m<sup>2</sup>); more than 5 times brighter than a standard home TV to allow easy readability in direct sunlight. The display also has an ambient light sensor that will alter the screens brightness based on the displays surrounding light levels. This leaves the screen with the best clarity while also conserving energy.



## Outdoor Enclosure

Designed with robust, corrosion protected, casing to protect against the elements and the public. With an IP65 rating, it keeps out all airborne particles as well as being protected from any wet weather conditions and also feature waterproof over molded AV connectors. The enclosures are made from mild steel and have thermally toughened glass.



## Temperature Control

The internal air-conditioning system allows the screens to be in constant use in an outdoor environment. Internal fans keep the panel and other internal components at the optimum working temperature; ensuring a long and reliable life for your display.

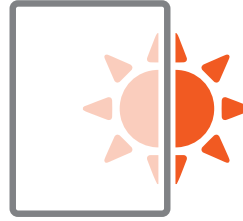
# Features

## 24/7 Usage



Built with commercial grade panel and components these displays are designed to run 24/7 in constant use; unlike domestic screens. The panel also has a lifespan of over 50,000 hours of continuous use.

## Anti Reflective Glass



The glass frontage is also anti-reflective to help defuse direct sunlight shining on the display.

## 10 Point Touch



Having up to 10 touch points allows for a wider variety of applications than ever before. This kind of functionality allows you to manipulate images, zoom in and out as well as perform many other touch gestures; much like you would with a domestic tablet. It also allows for multiple users interacting with the screen at one time.

## Attach External Devices



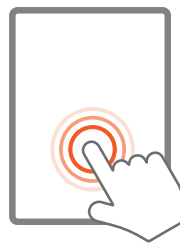
You can attach external devices to run the Touch Screen by placing a PC or Media Player within the display's internal locker. Then simply connect the device to the screen, via the VGA or HDMI ports (for the video signal) and USB (for the touch functionality). The Touch Screen will then serve as your computer monitor and the touch functionality controls the cursor, essentially acting as your mouse.

## Easy Installation & Maintenance



These units are designed with installation and maintenance in mind. As well as having a cabling channel built into the base of the unit there are also special fitting holes to allow you to permanently fix your screen in position. There is also internal space within the unit to hide any additional hardware, such as a PC, with easy access in the form of a front panel door.

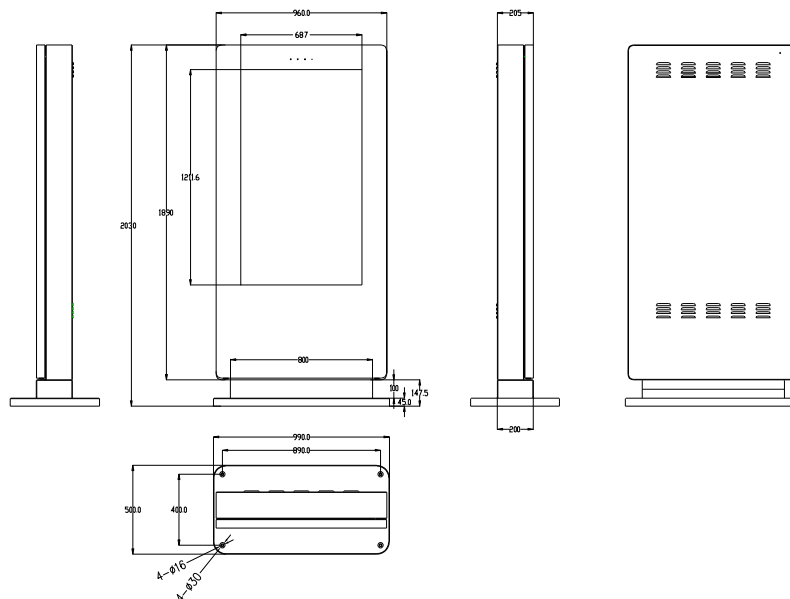
## Modifications Available



Whether your project calls for a touch screen, a double-sided display or even a bespoke screen size, we can meet your needs.

		55" Outdoor PCAP Freestanding Multi Touch Screen Poster
<b>Panel</b>	Display Size	55 Inch
	Resolution	1080x1920
	Pixel Pitch	0.21x0.63
	Display Area (mm)	687x1211.6
	Aspect Ratio	16:9
	Brightness (cd/m2)	2500
	Colour	1.073 G
	Viewing Angle	178°
	Contrast Ratio	8000:1
<b>Touch</b>	Touch Technology	Projected Capacitive
	Touch Points	10
	Glass Hardness	7H minimum
<b>AV Inputs</b>	Video	HDMI, VGA
<b>Power</b>	Power Consumption (W)	430
	Input Voltage	AC110~240V (50Hz~60Hz)
<b>Mechanical</b>	Unit Size (WxHxD mm)	960x2030x205
	Net Weight (kg)	150
<b>Environmental</b>	Operating Temperature:	-20 °C to 50 °C
	Operating Humidity:	10% - 80%
	Storage Temperature:	-30°C - 60°C
	Storage Humidity:	5% - 90%
	Enclosure Protection	IP65
<b>Accessories</b>	Included	AC Power Cable, Remote Control
	Optional	Network Upgrade, Camera

### Technical Drawing:



Note: The Ø30 holes are for access, we recommend using M10 anchor bolts that will fit into the Ø16 holes.